

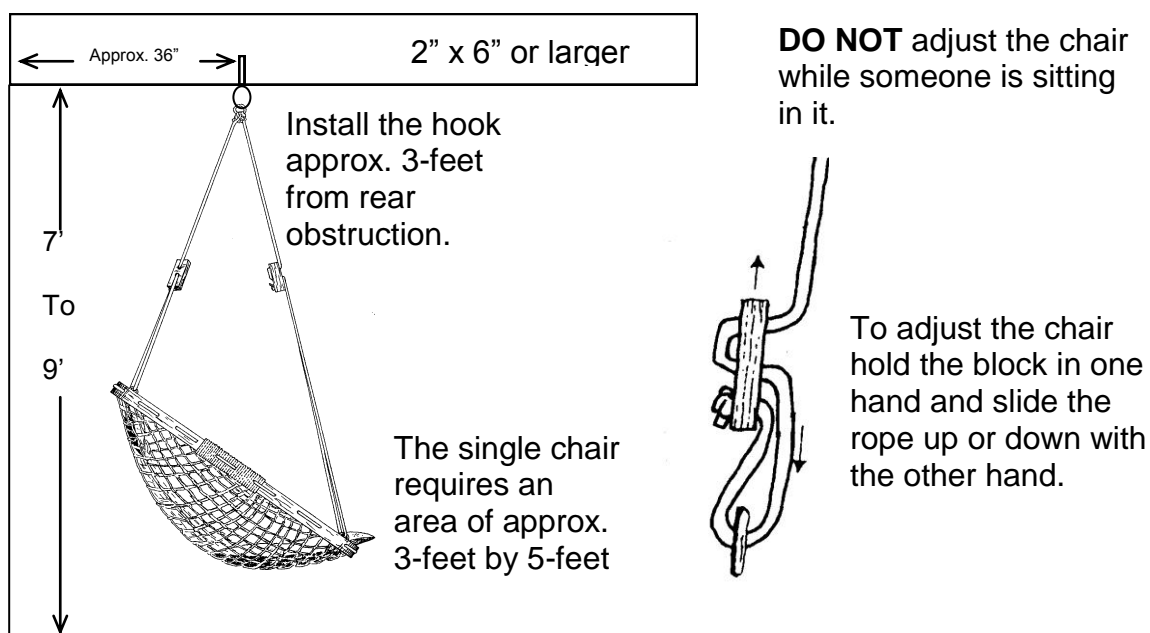
THE COBBLE MOUNTAIN CHAIR

HANGING INSTRUCTIONS

PLEASE READ AND FOLLOW THESE INSTALLATION INSTRUCTIONS. DO NOT EXCEED THE MAXIMUM LOAD LIMIT OF 240 LB. DO NOT LET SMALL CHILDREN PLAY IN THE CHAIR UNATTENDED. AFTER INSTALLATION, PERIODICALLY VERIFY THAT THE SCREW HOOK IS SECURE.

LOCATION: You will need to satisfy two considerations: First, a **STURDY** anchor point overhead. Nothing less than 2" x 6" framing lumber should be used. Second, you'll need space below for the chair to occupy, an area of approximately 3' x 5'.

INSTALL THE HOOK: Using an electric drill with a 5/16" drill bit **VERY CAREFULLY** locate the center of the overhead beam. Drill a hole straight-up (plumb) about 2" deep. Install the hook; be sure to bury all the threads. **DO NOT INSTALL THE HOOK HORIZONTALLY!**



HANG & ADJUST THE CHAIR: Hang the chair on the hook. To adjust the height and angle of recline, simply slide the wooden blocks along the harness ropes. Toss the cushion in and have a seat. Make further adjustments as necessary.

CARE & MAINTENANCE: Spot clean the pillows. Clean the ropes using warm, soapy water and a soft bristled scrub brush. Rinse thoroughly and allow to dry completely, preferably in direct sunlight. To spruce up the wood frame, carefully apply furniture oil using a soft, clean cloth. **DO NOT** store your chair where mice or bugs may be present.

COBBLE MOUNTAIN, INC.
1650 Route 16
Center Ossipee, NH 03814 USA
(603) 299-9181
Email: info@cobblemountain.com

COBBLE MOUNTAIN Foothold

Hanging Instructions

If the Cobble Mountain Foothold was included with your Chair, follow these simple hanging instructions.

WARNING: DO NOT ATTEMPT TO USE THE FOOTHOLD AS A SEAT; THE WOOD FRAME WILL NOT SUPPORT EXCESSIVE WEIGHT. DO NOT ALLOW SMALL CHILDREN TO PLAY IN THE CHAIR UNATTENDED.

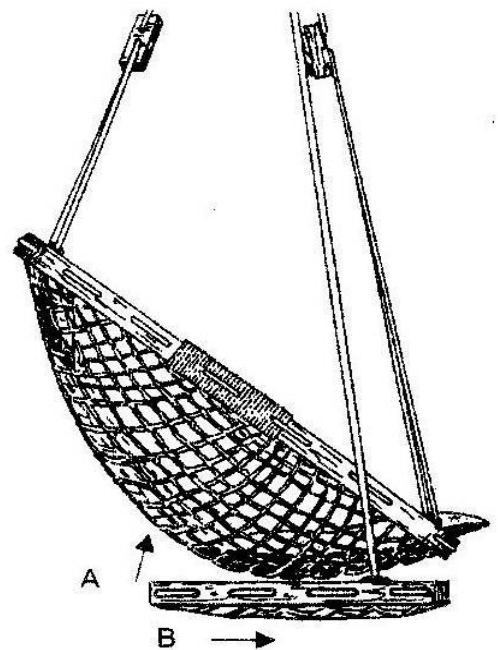
Step 1. Adjust your chair to the proper height and angle of recline.

Step 2. Hang the Foothold from the same hook that the chair is suspended from.

Step 3. Using the blocks, adjust the Foothold so it slides just under the frame of the chair.

To use the foothold, sit in the chair. Reach outside the frame and between front and back suspension ropes. Lift in the direction "A" and push in direction "B" (as illustrated) while lifting your feet. Hook your heels on the foothold; push out until foothold is supporting your feet and lower legs.

To return the foothold to the stowed position simply lift your feet, push down on the open end of the frame and let it swing back under the chair seat.



The Foothold stores neatly under the chair when not in use.